



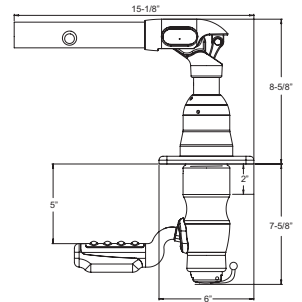
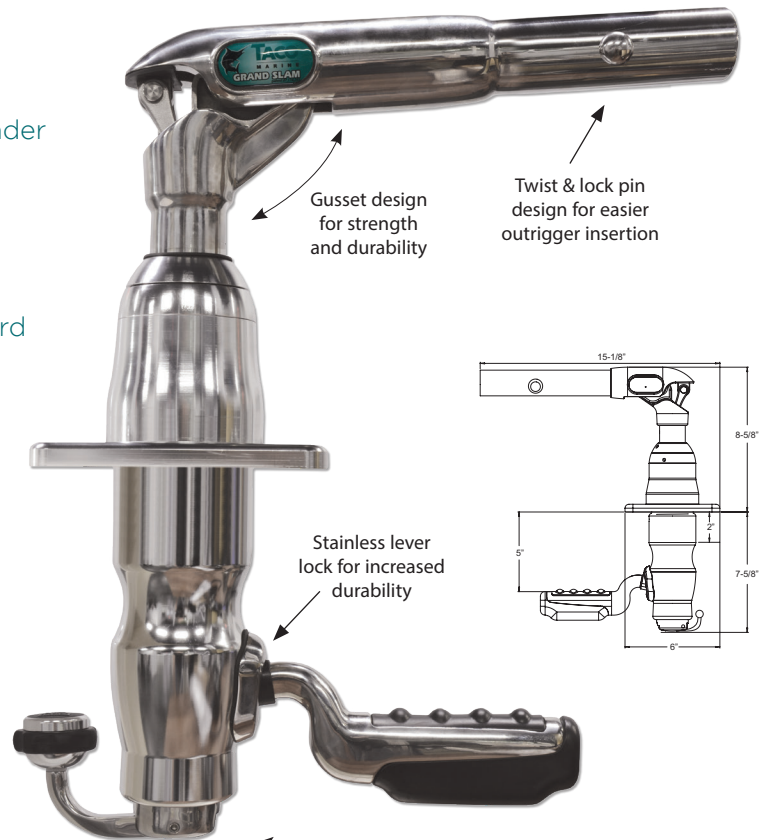
## GRAND SLAM 380 OUTRIGGER MOUNT



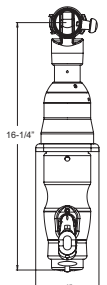
The GS-380 is the 3rd generation of the popular 300 series of Grand Slam brand outrigger top mounts that adjust all outrigger movements safely from under the top. Its rugged design will provide years of reliable service even in the most challenging saltwater applications. The GS-380 is the ultimate solution for larger fishing boats, with either hardtop or soft top installations. Enhanced design of the rotator lever provides a sleeker more ergonomic shape, using polished Stainless Steel and UV-resistant non-slip Santoprene™ grip. In addition, the new GS-380 incorporates a compact easy to use elevation crank handle that folds up for convenient out-of-the way storage.

### FEATURES & BENEFITS

- For use on 24-foot to 50-foot fishing boats
- All rotation and elevation adjustments from under the top
- Fits both hardtop and soft top applications
- Optional 90° handle mounting position for more lever rotation
- Designed to fit TACO Marine's industry standard pre-drilled extrusion plate (GSE-1939BLS30)
- Rugged Stainless Steel and anodized Aluminum construction
- 12 locking fishing positions
- Adjustable outrigger elevation adjustment
- Ergonomic-shaped rotator lever
- Polished Stainless Steel Type 316 arm and lever
- Polished anodized Aluminum body
- Top-mounted
- 4-inch x 6-inch mounting base
- Compatible with TACO Marine 1-1/2-inch heavy-duty Telescoping Tele-Outriggers (Aluminum or Carbon Fiber)
- Backing plates sold separately
- Sold in pairs



Fold-up knob offers a larger, firmer grip that allows for quicker outrigger pole position adjustment.



90° positioning for more lever rotation

Part #	Description	UPC	Unit of Measure	Std. Pk.
GS-380	Grand Slam 380	630838082819	Pair	2

